

1. List the outcomes when rolling a fair die (number cube).
 - a. What is the probability of getting a multiple of 2?
 - b. What is the probability of getting a number less than 6?

2. A newspaper carrier can deliver 49 papers in one hour. At this rate, how many newspapers can the carrier deliver in six hours?

3. A copy machine produces 110 copies in 5 minutes. How many copies would be produced in 40 minutes?

4. A recipe calls for 2 cups of flour and 3 eggs and it serves 8 people. If we need to serve 32 people, how much flour and how many eggs should we use? Why?

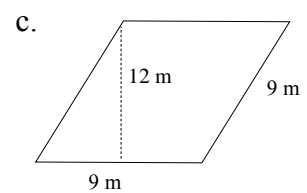
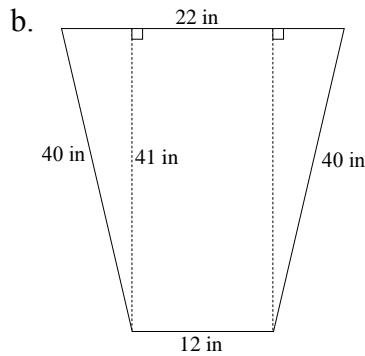
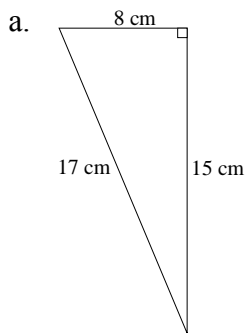
5. Calculate.
 - a. $\frac{7}{10} + \frac{1}{5} =$
 - b. $\frac{5}{8} - \frac{5}{16} =$
 - c. $\frac{3}{4} - \frac{3}{8} =$
 - d. $\frac{2}{3} + \frac{1}{9} =$

6. Write one fraction equivalent to $\frac{2}{3}$ that has

a. a numerator of 24.

b. a denominator of 24.

7. Calculate the area and perimeter of each shape. **WRITE THE AREA FORMULA, SHOW YOUR WORK, AND INCLUDE YOUR UNITS.**



Bonus:

In the circle, one “piece of pie” is not labeled. What is the size of this region? Show your work and support your answer.

